

Safety Instructions

1,2,3,4,5,6,8,9,12,13,14,15,16
18,19,20,21,25,26,27,28,33,34



Info Hotline



+49 (0) 5041 998 389

Mon.-Do. 7⁰⁰-20⁰⁰
Fr. 7⁰⁰-17⁰⁰

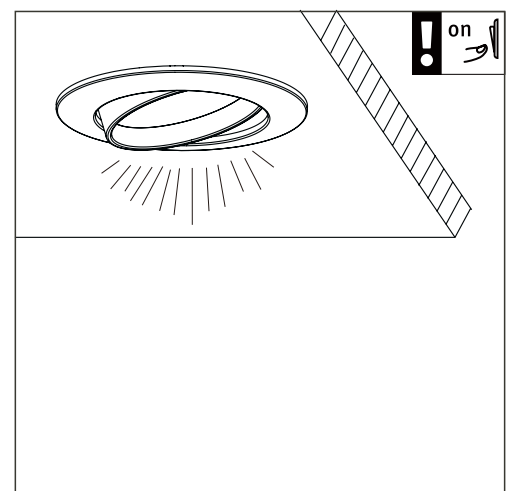
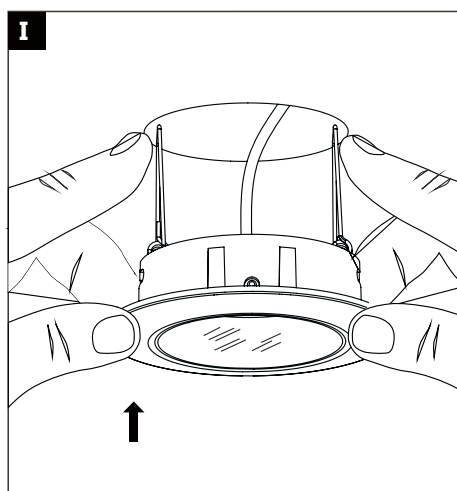
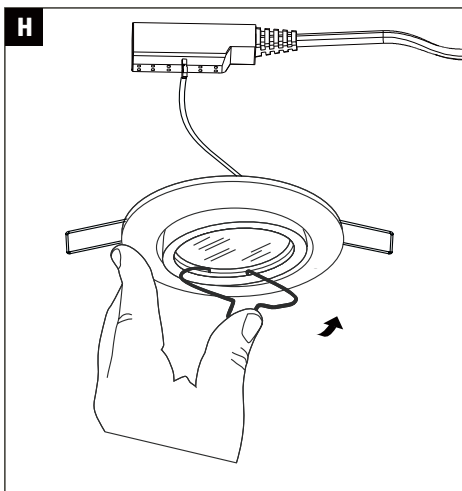
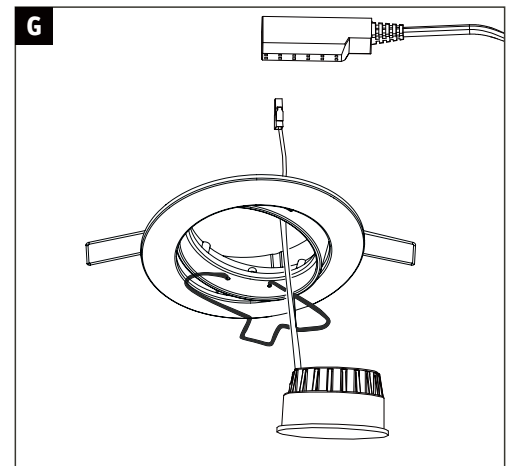
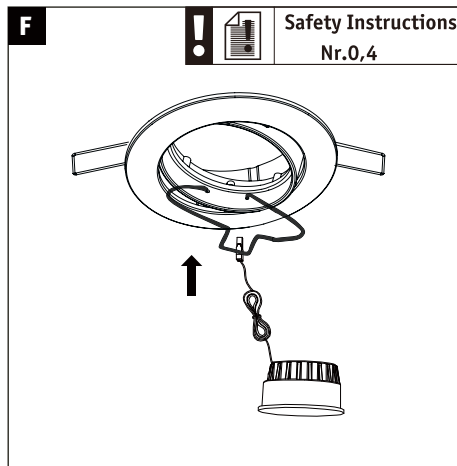
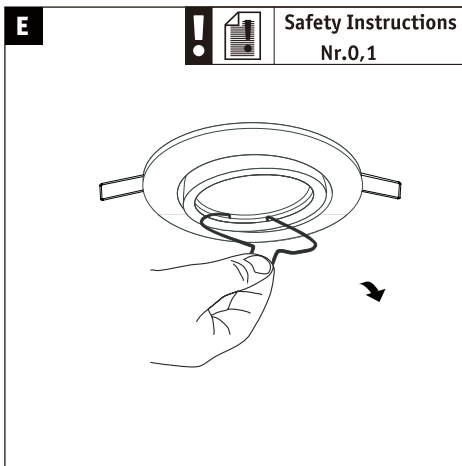
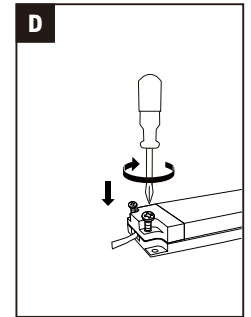
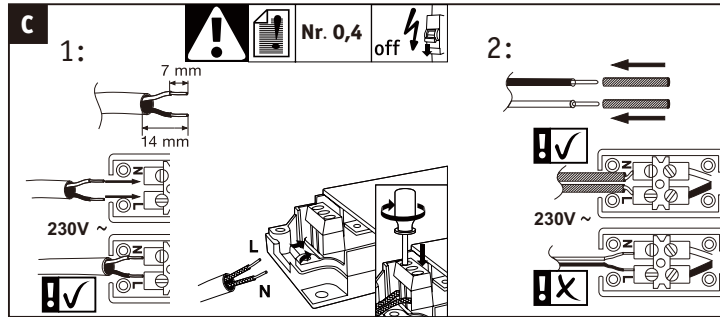
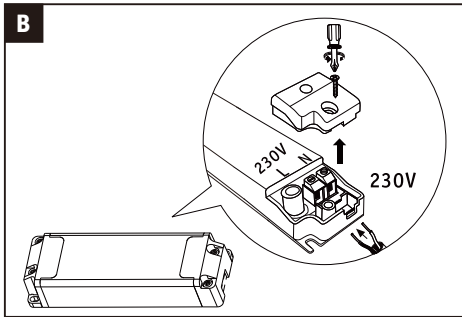
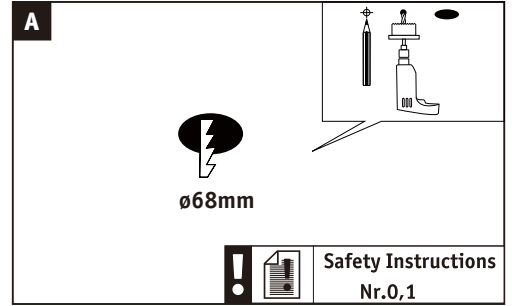
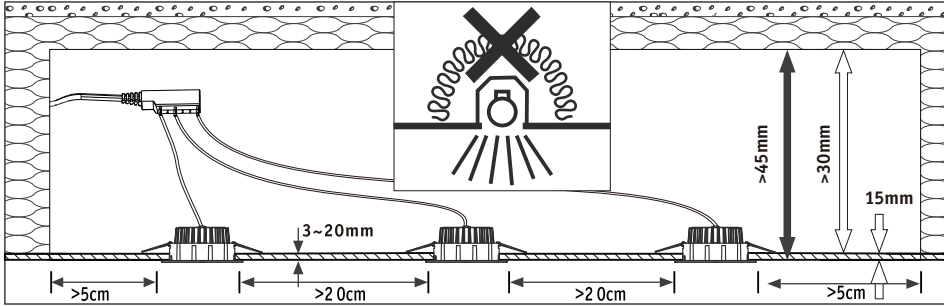
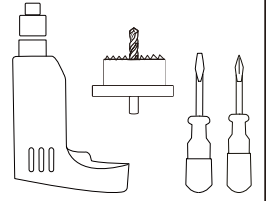
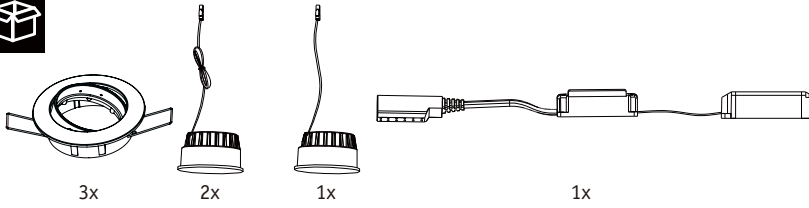
Paulmann Licht GmbH
Quezinger Feld 2
31832 Springe
Germany

www.paulmann.com

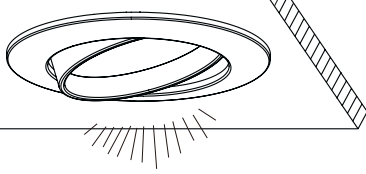
Art.-Nr.: 500.06
500.07





(+MA 326) PSU 04/16



J

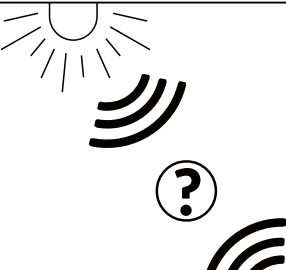



Bluetooth 




IOS APP Android APP Remote Control

K




Bluetooth 

Reset



3X, ON/OFF <15



IOS APP Android APP Remote Control

L

Paulmann Home



IOS APP



Android APP

Not incl.

- iPad
- iPhone 4S Higher
- Android 4.4 Higher
- Bluetooth 4.0 Higher



Not incl. Remote Control



Paulmann Art.-Nr.500.01



M

Instruction Of APP

